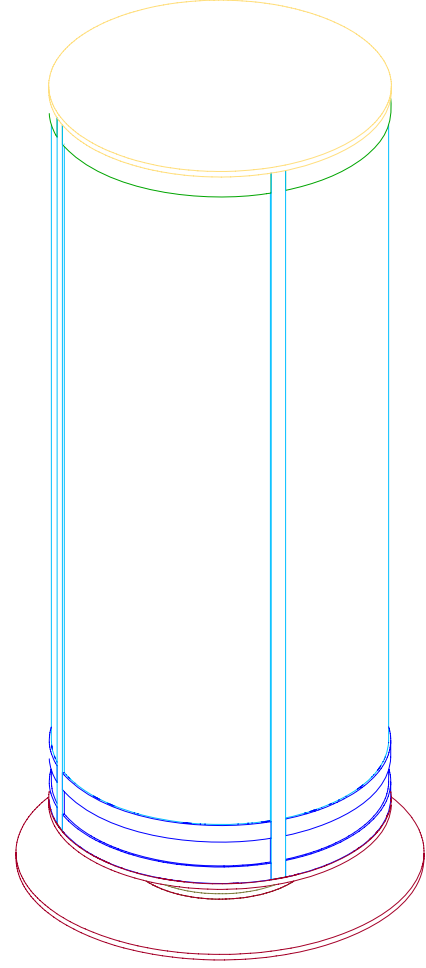


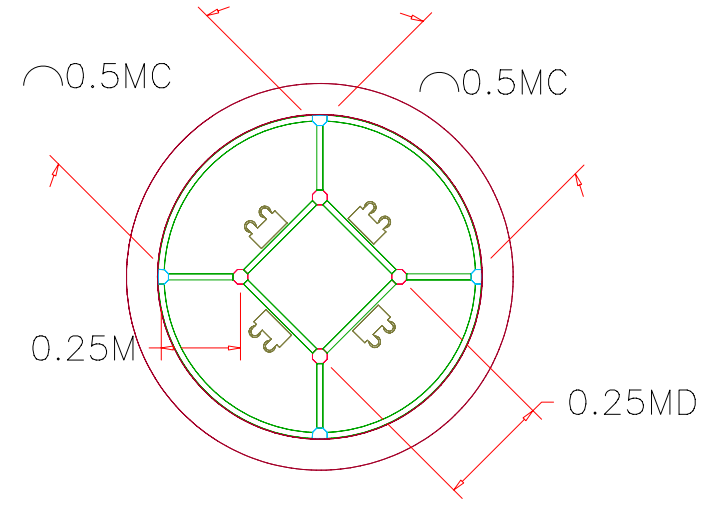
ISOMETRIC VIEW

SCALE: NONE



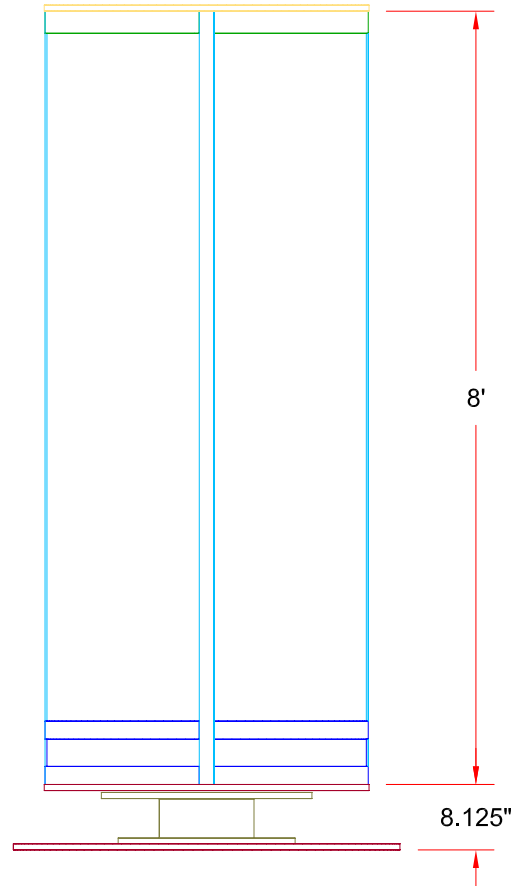
PLAN VIEW

SCALE: 1/2" = 1'



ELEVATION

SCALE: 1/2" = 1'



N:\Active Data\Shows\Dallas_42\HITEC_JUN2011_42\Detailing\Show_Details\ACAD\	Date	Date
ORIGINAL DETAIL	6.4.08	

Austin Convention Center Austin TX	Date	Date
Richard Sloan Brad Ferrell		
42-1106-01780		



ASSOCIATION

HITEC
Rotating Column
June 22, 2011

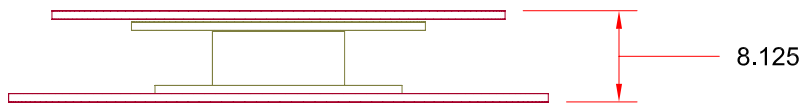
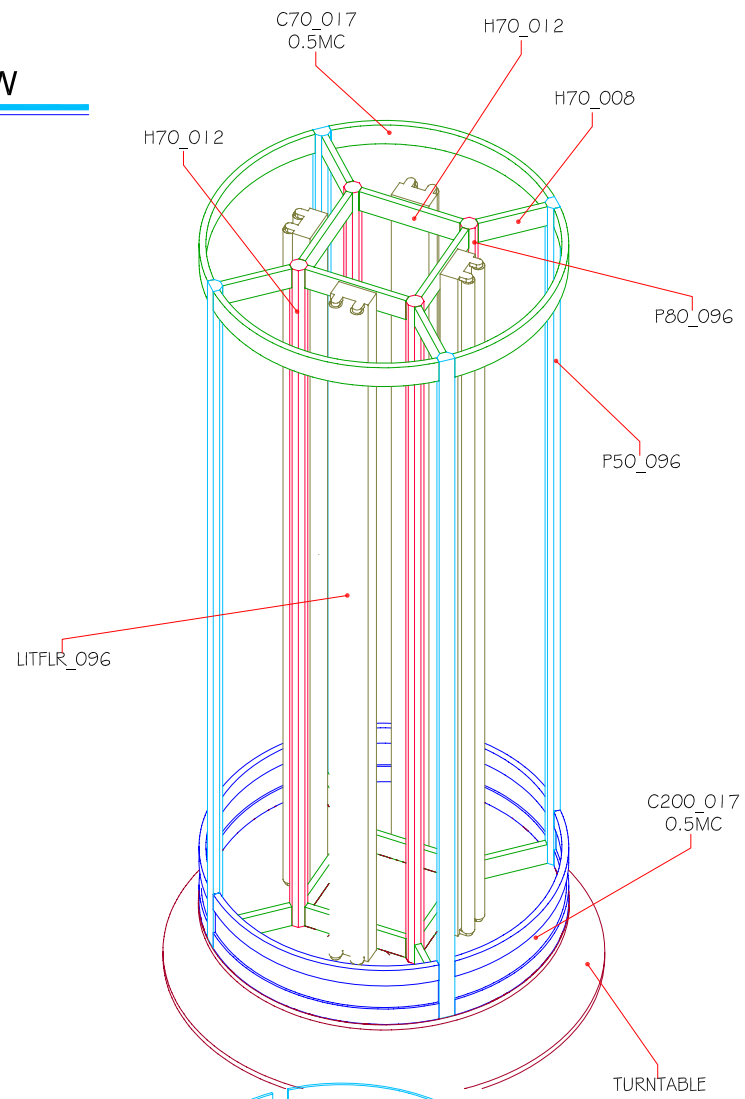
Austin Convention Center Austin TX
Richard Sloan
Brad Ferrell
42-1106-01780
HITEC Rotating Column DT.dwg

Created 5.9.08
Revised
Revision #
Page: 1 of 2

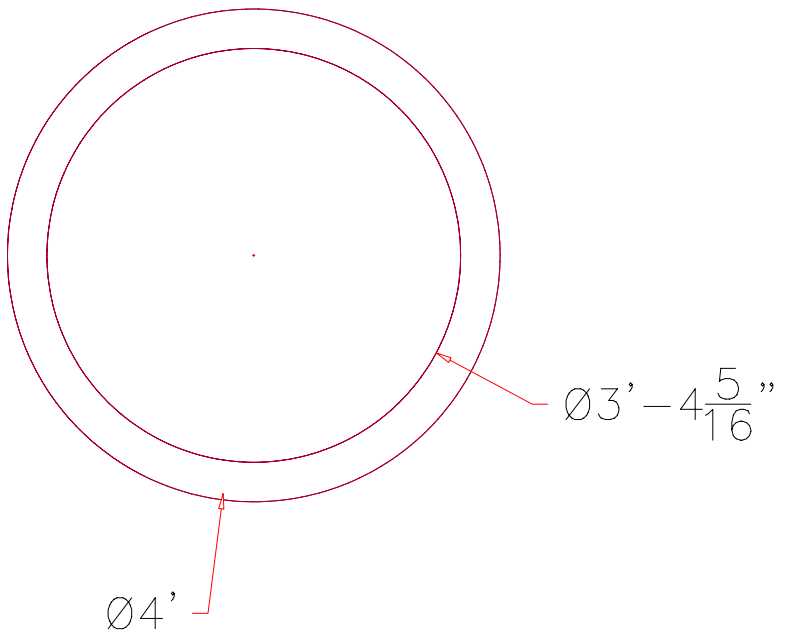
N:\Active Data\Shows\Dallas_42\HITEC_JUN2011_42\Detailing\Show_Details\ACAD\HITEC Rotating Column DT.dwg, 5/31/2011 11:15:43 AM, Adobe PDF

METAL VIEW

SCALE: NONE

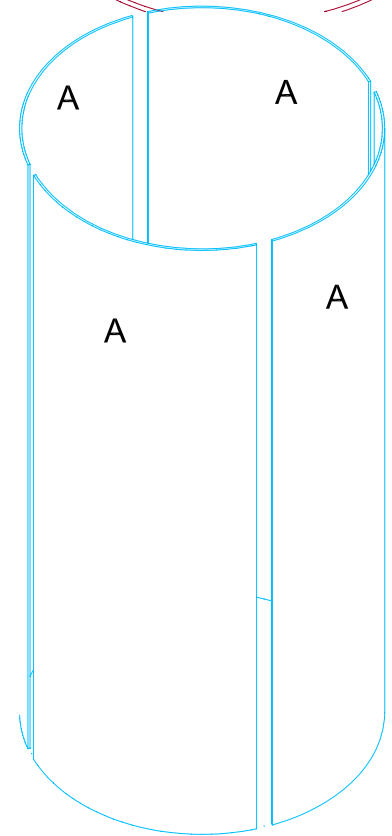


**TURNTABLE W/ 500LB RATING
TO BE MADE OUT OF PLYWOOD.**

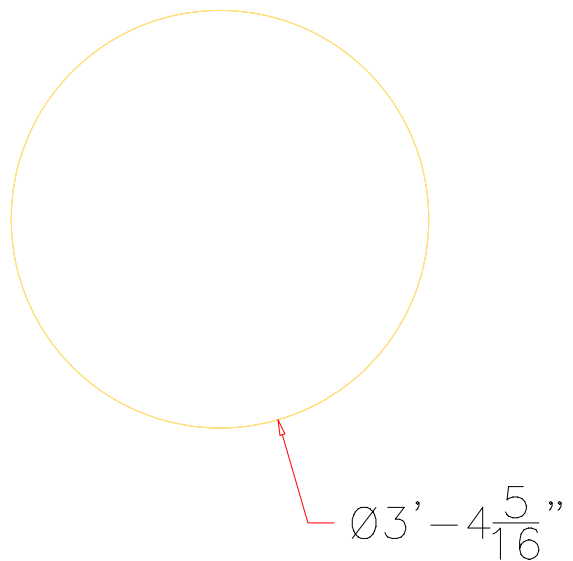


PANEL VIEW

SCALE: NONE



CEILING TO BE MADE OUT OF MELAMINE



METAL

Qty	Part Number	Color	Length	Description	Type
4	c200_017	black	29.125	1/2m curve	c200
4	c70_017	black	29.125	1/2m curve	c70
8	h70_008	black	8	1/4m h70	h70
8	h70_012	black	12.125	1/4md h70	h70
4	p50_096	black	96	8' p50	p50
4	p80_096	black	96	8' p80	p80

ART PANELS

Qty	Part Number	Color-A	S/D	Length	Height	Description	Material
A	pan_rcb	GRAPHIC	S	29.688	86.250	1/2mc panel	milk plexi

ACCESSORIES

Qty	Part Number	Type	Clr/Mtrl	Width	Length	Description
4	litflr_096	fluor ligh	white	40.5/16 DIAMETER		litflr_096 ceiling
1	500lb rating turntable	plywood	WHITE	48" DIAMETER		500lb rating turntable

N:\Active Data\Shows\Dallas_42\HITEC_JUN2011_42\Detailing\Show_Details\ACAD\

6.4.08	ORIGINAL DETAIL	Date	Date
--------	-----------------	------	------

		Date	Date
--	--	------	------